

Dekfast™

Price List

Effective July 1, 2009



Section	Page	Section	Page
<u>Terms, Conditions, Freight</u>	1	<u>Specialty Products</u>	
<u>Fasteners</u>		T.P.R. Peel Rivet	7
#12 Phillips Head	2	Deklite	8
#12 Hex Head	2	Dekspike	9
#14 Phillips Head	2	Stainless Dekfast #14	9-10
#15 Phillips Head	3	Purlin Fasteners, #12	10
K-Fast	3	ZAC Anchors	11
<u>Stress Plates</u>		ZAMAC Zinc Nailins	11
Insulation & Membrane Plates	4	Base Ply Fasteners	12
isofast Plates	4	Dekbond Insulation Adhesive	12
<u>Insulation Assemblies</u>		<u>Termination Products</u>	
#12 Phillips w/3" Round Galvalume	5	Termination & Batten Bars	13
#12 Hex w/3" Round Galvalume	5	<u>Tools</u>	
<u>Belted System Fasteners</u>		isofast IF160	13
#12 Belted	6	Stealth Tools & Accessories	14
#15 Belted	6	<u>Timberwork Products</u>	
<u>Nail Board Fasteners</u>		Log Screw Fasteners	15
Insulation Panel Fastener	7	System WT Fasteners	15
		System WT Tools	16-17
		System WS Fasteners	18
		System WS Tools	18-19

Terms & Conditions

Effective July 1, 2009

Prices Subject to Change Without Notice

Pricing

Minimum Billing - \$50.00;
 Orders under \$50.00 are subject to a \$15.00 process and handling fee (excluding shipping and taxes)

- Terms:
- Net 30 days, with approved credit
 - C.O.D.
 - Credit Card

Return Policy

All returns must be approved by SFS intec and a "Return Material Authorization" form must accompany all materials.

All returns are subject to a minimum 15% restocking charge.

All Return Material Authorization requests must be made within 90 days of receipt of product.

Freight collect shipments will not be accepted.

Freight Terms

Note: If required, fuel surcharges may apply.

Fasteners Sold in Full Cartons Only
 Freight allowed to one location on orders of \$2,000.00 dollars or more; standard shipping

Applicable items: Fasteners, plates, ZAC anchors, ZAMACS, drill bits, ISO-TAK Fasteners/Sleeves

F.O.B Freight

Note: FOB freight from service center of SFS intec's discretion; not all product is available in stock at all locations.

FOB Freight Products: Termination bar, Deklite and Dekbond adhesive.

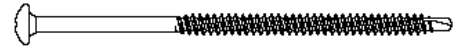
FOB Freight Products will be "Freight Allowed", if combined with qualified Freight Allowed Dekfast Product order

Customer Specified Carrier - allowed on Freight Collect and "Prepaid and Charge" shipments

#12

#3 Phillips and 1/4" hex drive, 13 tpi, drill point

#12 Phillips Head



SFS PART	DESCRIPTION	STD CTN	U/M	WT	PRICE/M
A8513-995B	12 X 1-5/8"	1000	M	13	40.70
A8518-995B	12 X 2-1/4"	1000	M	17	48.15
A8523-995B	12 X 2-7/8"	1000	M	21	56.75
A8526-995B	12 X 3-1/4"	1000	M	23	86.95
A8530-995B	12 X 3-3/4"	1000	M	27	95.55
A8536-995B	12 X 4-1/2"	1000	M	31	115.55
A8540-995B	12 X 5"	1000	M	34	125.15
A8548-995B	12 X 6"	1000	M	41	160.80
A8556-995B	12 X 7"	500	M	49	225.05
A8564-995B	12 X 8"	500	M	55	245.45

#12 Hex Head

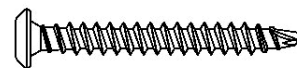


SFS PART	DESCRIPTION	STD CTN	U/M	WT	PRICE/M
C7400-995B	12 X 1-5/8"	1000	M	13	45.90
C7410-995B	12 X 2-1/4"	1000	M	17	52.60
C7420-995B	12 X 2-7/8"	1000	M	21	65.05
C7430-995B	12 X 3-1/4"	1000	M	23	110.20
C7440-995B	12 X 3-3/4"	1000	M	27	117.15
C7450-995B	12 X 4-1/2"	1000	M	31	138.15
C7460-995B	12 X 5"	1000	M	34	146.40
C7470-995B	12 X 6"	1000	M	41	167.65
C7480-995B	12 X 7"	500	M	49	252.05
C7490-995B	12 X 8"	500	M	55	271.60

#14

#3 Phillips drive, 10 tpi, drill point

#14 Phillips Head



SFS PART	DESCRIPTION	STD CTN	U/M	WT	PRICE/M
A7210-995B	14 X 1-1/4"	1000	M	12	42.15
A7216-995B	14 X 2"	1000	M	18	55.40
A7224-995B	14 X 3"	1000	M	26	68.75
A7232-995B	14 X 4"	1000	M	37	126.90
A7240-995B	14 X 5"	1000	M	41	147.05
A7248-995B	14 X 6"	1000	M	50	172.90
A7256-995B	14 X 7"	500	M	59	234.95
A7264-995B	14 X 8"	500	M	73	263.10
A7272-995B	14 X 9"	500	M	80	348.60
A7280-995B	14 X 10"	500	M	84	392.60
A7288-995B	14 X 11"	500	M	94	535.05
A7296-995B	14 X 12"	500	M	104	567.45

Dekfast**Fasteners**

#15

#3 Phillips drive, 13 tpi, drill point

#15 Phillips Dekfast

SFS PART	DESCRIPTION	STD CTN	U/M	WT	PRICE/M
C2000-995P	15 X 1-1/4"	1000	M	16	72.95
C2010-995P	15 X 2"	1000	M	23	93.35
C2020-995P	15 X 3"	1000	M	32	119.05
C2030-995P	15 X 4"	1000	M	40	146.95
C2040-995P	15 X 5"	1000	M	49	180.20
C2050-995P	15 X 6"	500	M	59	230.60
C2060-995P	15 X 7"	500	M	69	316.40
C2070-995P	15 X 8"	500	M	79	353.95
C2075-995P	15 X 9"	500	M	88	557.70
C2080-995P	15 X 10"	500	M	98	602.75
C2085-995P	15 X 11"	500	M	107	622.05
C2090-995P	15 X 12"	250	M	117	766.85
C2100-995P	15 X 14"	250	M	135	853.75
C2110-995P	15 X 16"	250	M	154	974.90
C2120-995P	15 X 18"	250	M	168	1246.25
C2130-995P	15 X 20"	250	M	188	1438.25
C2140-995P	15 X 22"	250	M	204	1653.80
C2150-995P	15 X 24"	250	M	224	1737.45
C2160-995P	15 X 26"	250	M	244	2191.15
C2170-995P	15 X 28"	200	M	266	2418.00

Dekfast**Fasteners****K-Fast**

#3 Phillips drive, 13 tpi, drill point

K-Fast

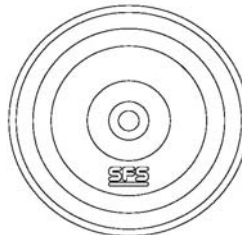
SFS PART	DESCRIPTION	STD CTN	U/M	WT	PRICE/M
C9016-999B	2"	500	M	37	167.85
C9024-999B	3"	500	M	48	226.85
C9032-999B	4"	250	M	62	279.80
C9040-999B	5"	250	M	78	318.70
C9048-999B	6"	250	M	89	607.80
C9056-999B	7"	250	M	104	656.60
C9064-999B	8"	250	M	118	708.00

Loose Stress Plates

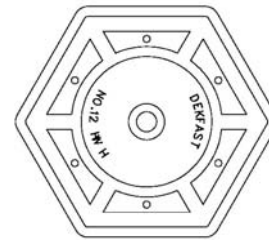
SFS PART	DESCRIPTION	STD CTN	U/M	WT	PRICE/M
M7525	2" Barbed Galvalume Plate	1000	M	38	74.00
M7540	2" Nonbarbed Galvalume Plate	1000	M	38	67.75
M7580	2" Deklite Plate	500	M	35	80.65
M7664	2-3/8" Barbed Plate (K-Fast)	1000	M	35	119.75
M7665	2-3/8" Barbed Plate	1000	M	35	105.25
M7550XS	2-7/8" Hex Galvalume Insulation Plate	1000	M	38	80.00
M7530	2-7/8" Hex Recess Galv Insulation Plate	1000	M	38	80.00
M3265DK	3" Plastic Dekflat Plate	1000	M	27	130.15
M7685	3" Round Stacked Galvalume Plate	1000	M	40	75.25
M7585	3" Deklite Plate	500	M	35	100.40



M7550XS



M7685



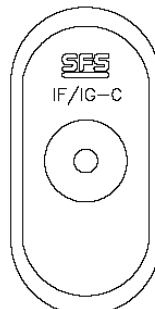
M7530

isofast Plates

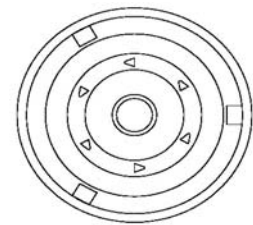
SFS PART	DESCRIPTION	STD CTN	U/M	WT	PRICE/M
M7710-TPL	IF-L 70x70 Insulation Plate (Thin)	750	M	82	237.25
M7700-TPL	IF/IG-C 82X40 Domed Convex Plate	750	M	60	231.70
M7680-TPL	IF-2.375-AT Plate (2 3/8" Round)	500	M	48	221.80



M7710



M7700

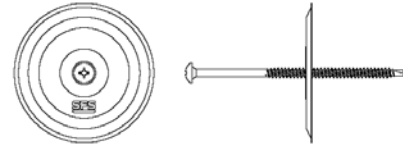


M7680

Insulation Assemblies

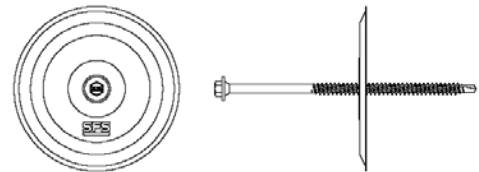
#12 assembled to metal insulation plates

#12 Phillips Dekfast Assembled w/3" Round Galvalume (Phillips Drive)



SFS PART	DESCRIPTION	STD CTN	U/M	WT	PRICE/M
A8513-995V	12 X 1-5/8"	500	M	53	154.25
A8518-995V	12 X 2-1/4"	250	M	57	163.30
A8523-995V	12 X 2-7/8"	250	M	61	170.10
A8526-995V	12 X 3-1/4"	250	M	63	221.30
A8530-995V	12 X 3-3/4"	250	M	67	227.85
A8536-995V	12 X 4-1/2"	250	M	71	250.30
A8540-995V	12 X 5"	250	M	74	271.55
A8548-995V	12 X 6"	250	M	81	310.70
A8556-995V	12 X 7"	200	M	85	378.00
A8564-995V	12 X 8"	200	M	90	404.45

#12 Hex Dekfast Assembled w/3" Round Galvalume (Hex Drive)



SFS PART	DESCRIPTION	STD CTN	U/M	WT	PRICE/M
C7400-995V	12 X 1-5/8"	500	M	53	164.05
C7410-995V	12 X 2-1/4"	250	M	57	169.85
C7420-995V	12 X 2-7/8"	250	M	61	196.65
C7430-995V	12 X 3-1/4"	250	M	63	247.95
C7440-995V	12 X 3-3/4"	250	M	67	254.70
C7450-995V	12 X 4-1/2"	250	M	71	278.20
C7460-995V	12 X 5"	250	M	74	298.25
C7470-995V	12 X 6"	250	M	81	318.85
C7480-995V	12 X 7"	200	M	85	395.45
C7490-995V	12 X 8"	200	M	90	414.20

#12 & #15 Belted

#12 Dekfast insulation attachment, #15 Dekfast insulation attachment

#12 isofast Belted



SFS PART	DESCRIPTION	STD CTN	U/M	WT	PRICE/M
A8518-995TPL	12 X 2-1/4"	750	M	17	120.20
A8523-995TPL	12 X 2-7/8"	750	M	21	147.55
A8526-995TPL	12 X 3-1/4"	750	M	23	174.65
A8530-995TPL	12 X 3-3/4"	750	M	27	278.20
A8536-995TPL	12 X 4-1/2"	750	M	31	287.00
A8540-995TPL	12 X 5"	750	M	34	323.95
A8545-995TPL	12 X 6"	750	M	41	374.45
A8556-995TPL	12 X 7"	750	M	48	395.20
A8564-995TPL	12 X 8"	750	M	55	430.80

#15 isofast Belted



SFS PART	DESCRIPTION	STD CTN	U/M	WT	PRICE/M
C2010-995TPL	15 X 2"	1000	M	23	165.55
C2020-995TPL	15 X 3"	1000	M	32	186.55
C2030-995TPL	15 X 4"	500	M	40	283.45
C2040-995TPL	15 X 5"	500	M	49	346.40
C2050-995TPL	15 X 6"	500	M	59	406.60
C2060-995TPL	15 X 7"	500	M	71	454.60
C2070-995TPL	15 X 8"	500	M	79	513.20
C2075-995TPL	15 X 9"	500	M	88	650.50

Dekfast

Nail Board Fasteners

Insulation Panel Fasteners

#14 #3 square drive, drill point

Insulation Panel Fastener



SFS PART	DESCRIPTION	STD CTN	U/M	WT	PRICE/M
B7221-995R	14 X 2-5/8"	500	M	28	149.30
B7224-995R	14 X 3"	500	M	33	154.55
B7228-995R	14 X 3-1/2"	500	M	37	169.10
B7232-995R	14 X 4"	500	M	41	190.50
B7236-995R	14 X 4-1/2"	500	M	45	222.25
B7240-995R	14 X 5"	500	M	49	260.15
B7244-995R	14 X 5-1/2"	500	M	53	285.55
B7248-995R	14 X 6"	500	M	57	306.00
B7252-995R	14 X 6-1/2"	500	M	61	339.20
B7256-995R	14 X 7"	500	M	65	377.95
B7260-995R	14 X 7-1/2"	500	M	69	412.00
B7264-995R	14 X 8"	250	M	73	435.60
B7266-995R	14 X 8-1/2"	250	M	77	462.20
B7268-995R	14 X 9"	250	M	81	491.10
B7272-995R	14 X 10"	250	M	89	525.55
B7276-995R	14 X 11"	250	M	93	580.70
B7280-995R	14 X 12"	250	M	97	620.30

Dekfast

Specialty Products

T.P.R. Peel Rivet

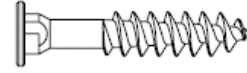
Two-piece aluminum magnesium alloy fastener

T.P.R. Peel Rivet



SFS PART	DESCRIPTION	STD CTN	U/M	WT	PRICE/M
0872497	1-1/2"	1000	M	18	337.85
0872499	2"	1000	M	24	545.85
0872500	3"	700	M	31	818.10
0872501	4"	500	M	40	911.20
0872503	5"	500	M	48	1074.50
0872504	6"	500	M	56	1289.20
0872505	7"	400	M	63	1714.15
0692781	8"	400	M	70	2070.90
0692782	9"	400	M	78	2295.35
0692783	10"	300	M	87	2449.10
0838870	Manual Pulling Tool	1	EA	6	394.45
0835559	Powerbird (Cordless) Pulling Tool	1	EA	14	1869.00
0871044	Electric Pulling Tool	1	EA	17	Call for details
0947813	Lobster Pneumatic Pulling Tool	1	EA	7	2229.80

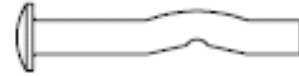
Deklite



SFS PART	DESCRIPTION	STD CTN	U/M	WT	PRICE/M
N2008	2"	500	M	24	241.75
N2010	2-1/2"	500	M	28	248.70
N2012	3"	500	M	33	267.20
N2014	3-1/2"	500	M	37	291.95
N2016	4"	500	M	41	310.45
N2018	4-1/2"	500	M	45	327.05
N2020	5"	500	M	49	350.35
N2022	5-1/2"	500	M	53	369.85
N2024	6"	500	M	57	389.10
N2026	6-1/2"	500	M	61	408.05
N2028	7"	250	M	65	426.85
N2030	7-1/2"	250	M	69	500.60
N2032	8"	250	M	73	534.15
N2034	8-1/2"	250	M	77	565.45
N2036	9"	250	M	81	598.20
N2038	9-1/2"	250	M	85	645.75
N2040	10"	250	M	89	694.15
N2044	11"	250	M	93	1143.80
N2048	12"	250	M	98	1367.05
N2052	13"	250	M	101	1408.40

Dekfast	Specialty Products
Dekspike	1/4" mushroom head

1/4" Dekspike



SFS PART	DESCRIPTION	STD CTN	U/M	WT	PRICE/M
N5110-999	1/4 x 1-1/4"	500	M	13	206.85
N5120-999	1/4 x 1-1/2"	500	M	16	238.45
N5130-999	1/4 x 2"	500	M	21	292.20
N5140-999	1/4 x 2-1/2"	500	M	27	334.75
N5150-999	1/4 x 3"	500	M	35	385.55
N5160-999	1/4 x 3-1/2"	500	M	40	428.55
N5170-999	1/4 x 4"	500	M	44	481.35
N5180-999	1/4 x 4-1/2"	500	M	48	539.10
N5190-999	1/4 x 5"	500	M	55	613.90
N5200-999	1/4 x 5-1/2"	500	M	59	655.55
N5210-999	1/4 x 6"	250	M	64	714.95
N5220-999	1/4 x 6-1/2"	250	M	70	833.10
N5230-999	1/4 x 7"	250	M	76	945.20
N5240-999	1/4 x 7-1/2"	250	M	80	1120.30
N5250-999	1/4 x 8 "	250	M	87	1192.50
N5270-999	1/4 x 9"	250	M	93	1278.85
N5290-999	1/4 x 10"	250	M	103	1546.15
N5310-999	1/4 x 11"	100	M	115	1722.45
N5330-999	1/4 x 12"	100	M	125	1914.50
N5350-999	1/4 x 13"	100	M	135	2074.25
N5370-999	1/4 x 14"	100	M	145	2205.25

Dekfast	Specialty Products
Stainless Dekfast	#14, 13 tpi, drill point

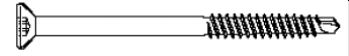
#14 Phillips Head Stainless Dekfast (410 SS)



SFS PART	DESCRIPTION	STD CTN	U/M	WT	PRICE/M
G8500B	14 X 1-1/2"	1,000	M	14	262.60
G8510B	14 X 2"	1,000	M	17	316.40
G8520B	14 X 3"	1,000	M	24	441.10
G8530B	14 X 4"	1,000	M	31	583.00
G8540B	14 X 5"	1,000	M	38	704.00
G8550B	14 X 6"	1,000	M	45	830.50
G8560B	14 X 7"	500	M	26	CALL FOR PRICING
G8570B	14 X 8"	500	M	30	CALL FOR PRICING
G8580B	14 X 10"	500	M	39	CALL FOR PRICING
G8590B	14 X 12"	500	M	44	CALL FOR PRICING

Dekfast**Specialty Products****Stainless Dekfast**

T-25 drive, T304 (Bi-Met), drill point

**#14 Stainless Dekfast
(Treated lumber to metal deck)**

SFS PART	DESCRIPTION		STD CTN	U/M	WT	PRICE/M
1013033	2-1/4" (57mm) T304 (Bi-Met) SD2	SD2/43-S-S11/T25-6X57	250	M	17	946.40
1013038	3-3/4" (95mm) T304 (Bi-Met) SD2	SD2/81-S-S11/T25-6X95	250	M	27	1100.90
J2000	Torx-25 (1/4" x 1-15/16") drive bit		1	EA	--	9.60

Dekfast**Specialty Products****Purlin Fastener**

#3 square drive, drill point

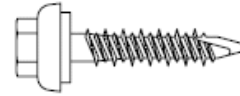
Dekfast #12 Purlin Fasteners

SFS PART	DESCRIPTION		STD CTN	U/M	WT	PRICE/M
C4305-995B	12 X 1-3/8"		1000	M	16	90.50
C4315-995B	12 X 2-3/4"		1000	M	20	102.25
C4325-995B	12 X 3-3/4"		1000	M	25	162.05
C4335-995B	12 X 4-3/4"		1000	M	31	204.30
C4345-995B	12 X 5-3/4"		1000	M	36	265.80
C4355-995B	12 X 6-3/4"		1000	M	42	360.80
C4365-995B	12 X 7-3/4"		500	M	48	389.75

ZAC Anchors

3/8" AF Termination fastener

ZAC Anchors

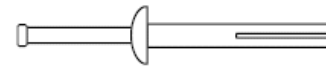


SFS PART	DESCRIPTION	STD CTN	U/M	WT	PRICE/M
N7305-FM999C	#14 X 1-3/8" HWH ZAC Anchor	1000	M	25	192.75
N7310-FM999C	#14 X 1-5/8" HWH ZAC Anchor	1000	M	27	198.80

ZAMAC Zinc Nailins

Termination fastener

ZAMAC Zinc Nailins



SFS PART	DESCRIPTION	STD CTN	U/M	WT	PRICE/M
PACKAGING - 100/BOX; 5 BOXES/CARTON					
N7050	3/16 X 7/8" STEEL NAIL	500	M	10	69.60
N7090	1/4 X 3/4"	500	M	16	92.70
N7100	1/4 X 1"	500	M	19	98.50
N7110	1/4 X 1-1/4"	500	M	23	106.95
N7115	1/4 X 1-1/2"	500	M	26	120.05
N7120	1/4 X 2"	500	M	31	138.15
PACKAGING - BULK PACKED CARTON					
N7050K	3/16 X 7/8" STEEL NAIL	1000	M	10	66.10
N7090K	1/4 X 3/4"	1000	M	16	88.05
N7100K	1/4 X 1"	1000	M	19	93.60
N7110K	1/4 X 1-1/4"	1000	M	23	101.60
N7115K	1/4 X 1-1/2"	1000	M	26	114.05
N7120K	1/4 X 2"	1000	M	31	131.25

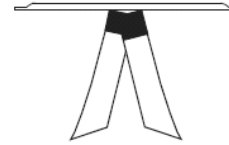
Dekfast

Specialty Products

Base Ply Fasteners

Base Sheet Attachment

Base Ply Fasteners



SFS PART	DESCRIPTION	STD CTN	U/M	WT	PRICE/M
N3025FPA	Dekfast/FM 90 - 1.7" Assembled/Painted	1000	M	42	148.85
N3005FPA	Dekfast/FM 75 -1.2" Assembled/Painted	1000	M	34	148.85
N3100	Magnetic Driver	1	EA	23	117.85
N3130	Magnetic Twin Loc Driver Tool	1	EA	5	117.85
N3314	Twin Loc-Nail 1.4"	500	M	56	360.50
N3318	Twin Loc-Nail 1.8"	500	M	60	360.50
N3328	Twin Loc-Nail 2.8"	500	M	68	395.35
N3338	Twin Loc-Nail 3.8"	500	M	84	465.10
N3348	Twin Loc-Nail 4.8"	500	M	108	581.35

Dekfast

Specialty Products

Dekbond Adhesive

Insulation Adhesives

Insulation Adhesive

SFS PART	DESCRIPTION	STD CTN	U/M	WT	PRICE/M
J6600	Dekbond Two Part Insulation Multi-Bead Applicator	1	ea.		4075.05
J6610	Dekbond Two Part Manual Applicator	1	ea.		185.70
V9000	Two-Part Insulation Adhesive	(4) 1500 ml	case	30 lb/case	173.45/case
V9010	Dekbond Foam Accelerator	5	gallon	45 lb/pail	82.05/pail
V9020	Dekbond Universal Primer	5	gallon	45 lb/pail	105.65/pail

Dekfast**Termination Products****Termination and Batten Bars****.050", .075", .090", .100", .125"; 6" OC****Termination and Batten Bars**

SFS PART	DESCRIPTION	HOLE SPACING	PKG QUANTITY	PRICE /FT
0625833	Flat Batten Bar (.050)	6"	500 FT	0.41
H3000	.050" All Purpose	6"	500 FT	0.41
H3030	.075" Single Lip	6"	500 FT	0.44
H3035	.075" Ribbed Single Lip	6"	500 FT	0.42
H3090	.100 Single Lip	6"	500 FT	0.64
H3120	.125" Flat	6"	500 FT	0.70
H3125	.100" Ribbed Term Bar Flat	6"	500 FT	0.70
H3150	Drain Bar/Gravel Stop	6"	100 FT	2.04
H3155	.090" Lip and Ball	6"	500 FT	0.58

SFS PART	DESCRIPTION	HOLE SPACING	PKG QUANTITY	PRICE /PKG
H3700	Coiled Batten Bar (Twin-Lok)	3"	500 FT	184.35
H3900	Coiled Batten Bar (.260)	3"	500 FT	91.50

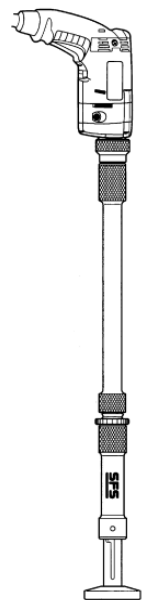
Dekfast**Specialty Products****isofast Tool****isofast IF160****isofast Installation Tools**

SFS PART	DESCRIPTION	PKG QTY	TOOL WT(lbs)	TOOL & Carton WT (lbs)	PRICE /M
0921663	IF160/99 Tool	1 EA	60	110	CALL FOR DETAILS
0921670	IF160/99-HLP (JM-2 3/8" Round Plate)	1 EA	60	121	CALL FOR DETAILS
0905296	IF160/99-XPS (Sarnafil XPS Belted System)	1 EA	60	111	CALL FOR DETAILS

PLEASE NOTE: LOANER PROGRAM AVAILABLE, CALL 1-800-DEKFAST FOR MORE INFORMATION

SFS Stealth Tools and Accessories

SFS PART	DESCRIPTION	PKG QTY	U/M	PRICE /EA
0671003	Stealth Shorty for ES-L	1	EA	125.45
0671004	Stealth 10 for ES-L	1	EA	282.25
0671005	Stealth 20 for ES-L	1	EA	312.50
0671000	Stealth Shorty for Plastic ES-I	1	EA	139.90
0671001	Stealth 10 for Plastic ES-I	1	EA	282.25
0671002	Stealth 20 for Plastic ES-I	1	EA	312.50
0655553	Stealth Shorty for Metal ES-I	1	EA	139.90
0655554	Stealth 10 for Metal ES-I	1	EA	282.25
0655555	Stealth 20 for Metal ES-I	1	EA	409.95
0835528	Stealth Shorty for High Load Preassembled (#15/2 3/8" Plate)	1	EA	139.90
0835529	Stealth 10 for High Load Preassembled (#15/2 3/8" Plate)	1	EA	282.25
0835530	Stealth 20 for High Load Preassembled (#15/2 3/8" Plate)	1	EA	409.60
0883864	Stealth Shorty for MES-L (#14 w/ 2" Soprafixx Plate)	1	EA	139.90
0883865	Stealth 10 for MES-L (#14 w/ 2" Soprafixx Plate)	1	EA	282.25
0883866	Stealth 20 for MES-L (#14 w/ 2" Soprafixx Plate)	1	EA	420.45
0075116	Milwaukee Model 6749-1 Screw Gun	1	EA	311.45
0912848	Makita Screw Gun	1	EA	200.80
J0150	Dewalt Model DW284 Screw Gun	1	EA	210.25
0655530	Milwaukee Adaptor (Variable Connector)	1	EA	34.20
0655528	Makita Adaptor (Variable Connector)	1	EA	34.20
0655529	Dewalt Adaptor (Variable Connector)	1	EA	38.40
0671016	Metal ES-I Stick Tool	1	EA	77.90
0673936	SFS Fastener Bags	1	EA	20.80
0655533	11" (Stealth 10) Extension Tube	1	EA	68.85
0655534	20" (Stealth 20) Extension Tube	1	EA	100.95
0655526	Locking/Depth Ring	1	EA	15.30
0655548	Stealth Shorty Hex Bit holder	1	EA	60.20
0655547	Stealth Shorty Phillips Bit holder	1	EA	51.95
0899577	Stealth 10 Hex Bit Holder	1	EA	68.35
0899581	Stealth 10 Phillips Bit holder	1	EA	56.45
0899579	Stealth 20 Hex Bit holder	1	EA	73.45
0899582	Stealth 20 Phillips Bit holder	1	EA	61.50
0008014	8mm (5/16") Hex Socket	1	EA	7.30
J0340	1/4" Hex Socket	1	EA	7.30
J0982P	#3 Phillips Bit	1	EA	1.55
0669640	O-Ring for Bit Cap	1	EA	N/C
0074407	Bit Cap	1	EA	5.55
0655524	Shorty Telescope Tube	1	EA	54.45
0655525	Guide Pin	1	EA	4.85
0669641	Retaining Ring	1	EA	0.55
0668614	Guide Washer	1	EA	1.20
0302718	Compression Spring	1	EA	4.10
0060107	2" ES-L Foot piece	1	EA	31.15
0056250	3" Plastic ES-I foot piece	1	EA	31.15
0835550	3" Metal ES-I foot piece	1	EA	31.15
0835552	High Load Foot piece	1	EA	31.15
0871078	MES-L (Soprafixx) Foot piece	1	EA	31.15



TimberWork Products

Log Screw

Log Screw Fasteners

Log Screw

SFS PART	DESCRIPTION	STD CTN	U/M	WT	PRICE PER U/M FULL CTN
B6430-995TPL	#15 X 4"	250	M	40.0	272.90
B6450-995TPL	#15 X 6"	250	M	50.0	311.55
B6470-995TPL	#15 X 8"	250	M	67.6	377.95
B6490-995TPL	#15 X 10"	250	M	89.4	474.55
B6510-995TPL	#15 X 12"	250	M	111.2	633.95
B6530-995TPL	#15 X 14"	250	M	133.1	799.40
B6550-995TPL	#15 X 16"	250	M	154.9	997.40

Log Screw Max

SFS PART	DESCRIPTION	STD CTN	U/M	WT	PRICE PER U/M FULL CTN
B6648-995TPL	#19 X 6"	250	M	89.4	499.40
B6664-995TPL	#19 X 8"	250	M	103.7	650.65
B6672-995TPL	#19 X 9"	250	M	115.5	728.05
B6680-995TPL	#19 X 10"	250	M	127.3	790.90
B6688-995TPL	#19 X 11"	250	M	139.0	836.15
B6696-995TPL	#19 X 12"	250	M	150.8	897.95
B6712-995TPL	#19 X 14"	250	M	174.3	1004.65
B6720-995TPL	#19 X 15"	250	M	186.0	1342.75

TimberWork Products

System WT


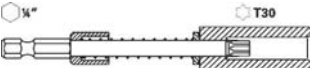

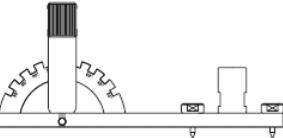
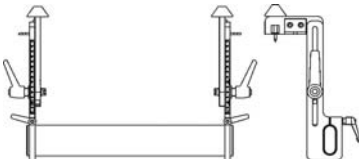
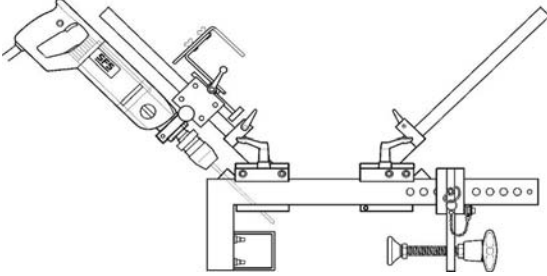
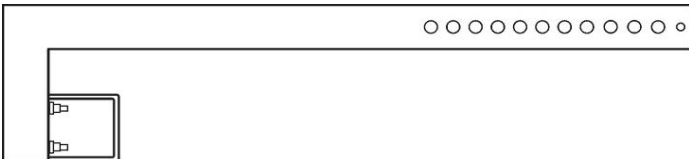
Double-Threaded Lag Bolt (Torx Drive)

WT System



SFS PART	DESCRIPTION	STD CTN	U/M	WT	PRICE PER U/M FULL CTN
0944019	1/4 X 2.56" (6.5x65mm)	100	M	19.8	Call for Pricing
0944015	1/4 X 3.54" (6.5x90mm)	100	M	26.2	Call for Pricing
0851110	1/4 X 5.12" (6.5x130mm)	100	M	37.0	Call for Pricing
0978290	1/4 X 6.30" (6.5x160mm)	100	M	45.2	Call for Pricing
1068275	1/4 X 7.48" (6.5x190mm)	100	M	54.0	Call for Pricing
1068276	1/4 X 8.66" (6.5x220mm)	100	M	62.8	Call for Pricing
0898494	5/16 X 6.30" (8.2x160mm)	100	M	86.8	Call for Pricing
0898496	5/16 X 7.48" (8.2x190mm)	100	M	102.9	Call for Pricing
0898498	5/16 X 8.66" (8.2x220mm)	100	M	118.4	Call for Pricing
0898500	5/16 X 9.65" (8.2x245mm)	100	M	132.5	Call for Pricing
0898502	5/16 X 11.81" (8.2X300mm)	50	M	162.0	Call for Pricing

WT System Tools

SFS PART	DESCRIPTION		U/M	PRICE EACH
0888896	WT-T40/D10 Drive Bar/Unit		EA	Call for Pricing
0857753	WT-T30/D10 Drive Bar/Unit		EA	Call for Pricing
0857750	Z661/WT Depth Locator		EA	Call for Pricing
0992262	ZL WT/U Universal Template		EA	Call for Pricing
0992260	ZL WT/S Purlin Support		EA	Call for Pricing
0909843	ZL WT Setting Tool for coupling purlins Clamping range 5.5"-167.5" (14-32cm)		EA	Call for Pricing
0926823	Z-WT/42 Conversion Kit Clamping Range 7.75"-16.5" (20-42cm)		EA	Call for Pricing

WT System Tools

SFS PART	DESCRIPTION	U/M	PRICE EACH
0942259	ZL-WT/MS Setting Tool w/BO1050 for Main to Secondary Connections	EA	Call for Pricing
0980396	ZL-WT/MS Without BO1050	EA	Call for Pricing
0747124	Power Drill BO900 for 5/16" (8.2mm)	EA	Call for Pricing
0026161	Screw Gun DI600 for 1/4" (4.5, 5.0, 6.5mm)	EA	Call for Pricing
0727276	ZL-WT/M NO 2x Tool	EA	Call for Pricing
0987757	Bit T30 X 7.87" (200mm)	EA	Call for Pricing
0978292	Bit T30 X 13.78" (350mm)	EA	Call for Pricing
0955405	Bit T40 X 2.75" (70mm) for use w/ZL WT Tool	EA	Call for Pricing
0907362	Bit T40 X 5.98" (152mm)	EA	Call for Pricing
0930217	Bit T40 X 7.87" (200mm)	EA	Call for Pricing
0978291	Bit T40 X 13.78" (350mm)	EA	Call for Pricing
0968661	Bit T40 X 20.47" (520mm)	EA	Call for Pricing



System WS

Self-Drilling Dowel (Torx Drive)

WS System



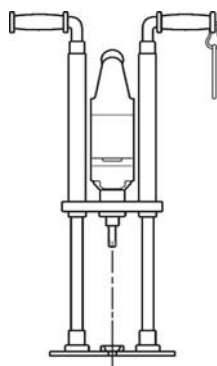
SFS PART	DESCRIPTION	STD CTN	U/M	WT	PRICE PER U/M FULL CTN
0928812	1/5 X 2.87" (5x73mm)	100	M	22.5	Call for Pricing
0928804	1/5 X 3.66" (5x93mm)	100	M	29.2	Call for Pricing
0928811	1/5 X 4.45" (5x113mm)	100	M	35.4	Call for Pricing
0955418	1/5 X 5.24" (5x133mm)	100	M	41.6	Call for Pricing
0936686	1/5 X 6.02" (5x153mm)	100	M	47.8	Call for Pricing
0936684	1/5 X 6.81" (5x173mm)	100	M	55.0	Call for Pricing
0956686	1/5 X 7.60" (5x193mm)	100	M	63.1	Call for Pricing
0944022	1/4 X 4.45" (7x113mm)	100	M	69.4	Call for Pricing
0944024	1/4 X 5.24" (7x133mm)	100	M	82.1	Call for Pricing
0930564	1/4 X 6.02" (7x153mm)	100	M	61.5	Call for Pricing
0936680	1/4 X 6.81" (7x173mm)	100	M	106.8	Call for Pricing
0936682	1/4 X 7.60" (7x193mm)	100	M	120.5	Call for Pricing
0944064	1/4 X 8.39" (7x213mm)	100	M	133.3	Call for Pricing
0944066	1/4 X 9.17" (7x233mm)	100	M	146.1	Call for Pricing

System WS

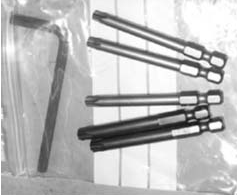

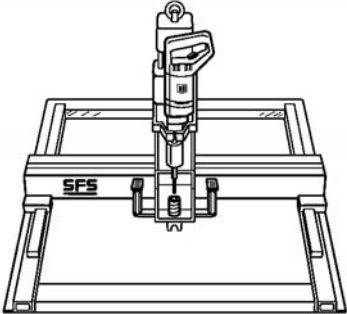

WS Tools

WS System Tools

SFS PART	DESCRIPTION	U/M	PRICE EACH
0960060	CF-WAS/M Manual Setting Tool	EA	Call for Pricing
0958861	CF-WAS/M Manual Setting Tool without Drive Unit	EA	Call for Pricing



WS System Tools

SFS PART	DESCRIPTION		U/M	PRICE EACH
0023488	T-30 Replacement Bit for 0960060		EA	Call for Pricing
0024040	T-40 Replacement Bit for 0960060		EA	Call for Pricing
0997859	Magnetic V Replacement Bit for CF-WS/M		EA	Call for Pricing
0730772	CF-WS/P Setting Frame		EA	Call for Pricing
0926636	T-40 Replacement Bit for CF-WS/P Setting Frame 0730772		EA	Call for Pricing

Contact Us Toll Free: 1-800-335-3278 Fax: 1-888-485-4225
Visit Our Website: www.sfsintecusa.com

Headquarters

Spring Street & Van Reed Road, PO Box 6326
Wyomissing, PA 19610
610-376-5751 Fax: 610-376-8551

Manufacturing Plants

Exeter Plant

Lincoln Corporate Center, 41 Dennis Drive
Reading, PA 19606

Medina Plant

5201 Portside Drive
Medina, OH 44256

Wyomissing Plant

Spring Street & Van Reed Road, PO Box 6326
Wyomissing, PA 19610

U.S. Service Centers

Reading Service Center

Spring Street & Van Reed Road, PO Box 6326
Phone: 610-376-5751 Fax: 610-376-8551

Durant Service Center

PO Box 576, 500 West Third Avenue
Durant, IA 52747
Phone: 563-785-4990 Fax: 563-785-6997

Houston Service Center

6120 West by Northwest Boulevard, Unit 160
Houston, TX 77040
Phone: 713-939-0056 Fax: 713-939-1759

Atlanta Service Center

675 Progress Center Avenue
Unit M
Lawrenceville, GA 30043
Phone: 770-995-5256 Fax: 770-995-3782

Sacramento Service Center

2426 Port Street
West Sacramento, CA 95691
Phone: 916-373-9912 Fax: 916-373-0176