

## **Dekfast™**

### **Price List**

**Effective April 1, 2010**





<b>Section</b>	<b>Page</b>	<b>Section</b>	<b>Page</b>
<b><u>Terms, Conditions, Freight</u></b>	1	<b><u>Specialty Products</u></b>	
<b><u>Fasteners</u></b>		ISO-TAK Fastening System	7
#12 Phillips Head	2	T.P.R. Peel Rivet	8
#12 Hex Head	2	Deklite	8
#14 Phillips Head	2	Dekspike	9
#15 Phillips Head	3	Stainless Dekfast #14	9-10
K-Fast	3	Purlin Fasteners, #12	10
<b><u>Stress Plates</u></b>		ZAC Anchors	11
Insulation & Membrane Plates	4	ZAMAC Zinc Nailins	11
isofast Plates	4	Base Ply Fasteners	12
<b><u>Insulation Assemblies</u></b>		Dekbond Insulation Adhesive	12
#12 Phillips w/3" Round Galvalume	5	<b><u>Termination Products</u></b>	
#12 Hex w/3" Round Galvalume	5	Termination & Batten Bars	13
<b><u>Belted System Fasteners</u></b>		<b><u>Tools</u></b>	
#12 Belted	6	isofast IF160	13
#15 Belted	6	Stealth Tools	14
<b><u>Nail Board Fasteners</u></b>		Stealth Accessories	14
Insulation Panel Fastener	7	<b><u>Timberwork Products</u></b>	
		Log Screw Fasteners	15
		System WT Fasteners	15
		System WT Tools	16-17
		System WS Fasteners	18
		System WS Tools	18-19

**Terms & Conditions**

**Effective April 1, 2010**

**Prices Subject to Change Without Notice**

**Pricing**

Minimum Billing - \$50.00;  
Orders under \$50.00 are subject to a \$15.00 process and handling fee (excluding shipping and taxes)

Terms:

- Net 30 days, with approved credit
- C.O.D.
- Credit Card

**Return Policy**

**All returns must be approved by SFS intec and a "Return Material Authorization" form must accompany all materials.**

**All returns are subject to a minimum 15% restocking charge.**

**All Return Material Authorization requests must be made within 90 days of receipt of product.**

**Freight collect shipments will not be accepted.**

**Freight Terms**

Note: If required, fuel surcharges may apply.

**Fasteners                      Sold in Full Cartons Only**

Freight allowed to one location on orders of \$2,000.00 dollars or more; standard shipping

Applicable items: Fasteners, plates, ZAC anchors, ZAMACS, drill bits, ISO-TAK Fasteners/Sleeves

**F.O.B Freight**

Note: FOB freight from service center of SFS intec's discretion; not all product is available in stock at all locations.

FOB Freight Products: Termination bar, Deklite and Dekbond adhesive.

FOB Freight Products will be "Freight Allowed", if combined with qualified Freight Allowed Dekfast Product order

**Customer Specified Carrier** - allowed on Freight Collect and "Prepaid and Charge" shipments

#12

#3 Phillips and 1/4" hex drive, 13 tpi, drill point

### #12 Phillips Head



SFS PART	DESCRIPTION	STD CTN	U/M	WT	PRICE/M
A8513-995B	12 X 1-5/8"	1000	M	13	40.70
A8518-995B	12 X 2-1/4"	1000	M	17	48.15
A8523-995B	12 X 2-7/8"	1000	M	21	56.75
A8526-995B	12 X 3-1/4"	1000	M	23	86.95
A8530-995B	12 X 3-3/4"	1000	M	26	95.55
A8536-995B	12 X 4-1/2"	1000	M	31	115.55
A8540-995B	12 X 5"	1000	M	34	125.15
A8548-995B	12 X 6"	1000	M	41	160.80
A8556-995B	12 X 7"	500	M	47	225.05
A8564-995B	12 X 8"	500	M	56	245.45

### #12 Hex Head



SFS PART	DESCRIPTION	STD CTN	U/M	WT	PRICE/M
C7400-995B	12 X 1-5/8"	1000	M	14	45.90
C7410-995B	12 X 2-1/4"	1000	M	18	52.60
C7420-995B	12 X 2-7/8"	1000	M	23	65.05
C7430-995B	12 X 3-1/4"	1000	M	26	110.20
C7440-995B	12 X 3-3/4"	1000	M	29	117.15
C7450-995B	12 X 4-1/2"	1000	M	34	138.15
C7460-995B	12 X 5"	1000	M	37	146.40
C7470-995B	12 X 6"	1000	M	44	167.65
C7480-995B	12 X 7"	500	M	50	252.05
C7490-995B	12 X 8"	500	M	56	271.60

#14

#3 Phillips drive, 10 tpi, drill point

### #14 Phillips Head



SFS PART	DESCRIPTION	STD CTN	U/M	WT	PRICE/M
A7210-995B	14 X 1-1/4"	1000	M	12	42.15
A7216-995B	14 X 2"	1000	M	19	55.40
A7224-995B	14 X 3"	1000	M	24	68.75
A7232-995B	14 X 4"	1000	M	30	126.90
A7240-995B	14 X 5"	1000	M	45	147.05
A7248-995B	14 X 6"	1000	M	46	172.90
A7256-995B	14 X 7"	500	M	55	234.95
A7264-995B	14 X 8"	500	M	61	263.10
A7272-995B	14 X 9"	500	M	68	348.60
A7280-995B	14 X 10"	500	M	75	392.60
A7288-995B	14 X 11"	500	M	82	535.05
A7296-995B	14 X 12"	500	M	90	567.45

**Dekfast****Fasteners**

#15

#3 Phillips drive, 13 tpi, drill point

**#15 Phillips Dekfast**

SFS PART	DESCRIPTION	STD CTN	U/M	WT	PRICE/M
C2000-995P	15 X 1-1/4"	1000	M	13	62.50
C2010-995P	15 X 2"	1000	M	24	75.35
C2020-995P	15 X 3"	1000	M	30	110.05
C2030-995P	15 X 4"	1000	M	42	146.95
C2040-995P	15 X 5"	1000	M	51	180.20
C2050-995P	15 X 6"	500	M	60	220.55
C2060-995P	15 X 7"	500	M	70	281.10
C2070-995P	15 X 8"	500	M	79	342.05
C2075-995P	15 X 9"	500	M	89	401.65
C2080-995P	15 X 10"	500	M	98	462.85
C2085-995P	15 X 11"	500	M	108	520.95
C2090-995P	15 X 12"	250	M	117	579.15
C2100-995P	15 X 14"	250	M	136	681.20
C2110-995P	15 X 16"	250	M	155	789.05
C2120-995P	15 X 18"	250	M	169	914.75
C2130-995P	15 X 20"	250	M	187	1030.55
C2140-995P	15 X 22"	250	M	206	1227.95
C2150-995P	15 X 24"	250	M	224	1417.05
C2160-995P	15 X 26"	250	M	243	1574.10
C2170-995P	15 X 28"	200	M	267	1757.80

**Dekfast****Fasteners****K-Fast**

#3 Phillips drive, 13 tpi, drill point

**K-Fast**

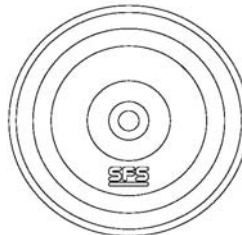
SFS PART	DESCRIPTION	STD CTN	U/M	WT	PRICE/M
C9016-999B	2"	500	M	37	167.85
C9024-999B	3"	500	M	49	226.85
C9032-999B	4"	250	M	63	279.80
C9040-999B	5"	250	M	79	318.70
C9048-999B	6"	250	M	90	607.80
C9056-999B	7"	250	M	105	656.60
C9064-999B	8"	250	M	118	708.00

## Loose Stress Plates

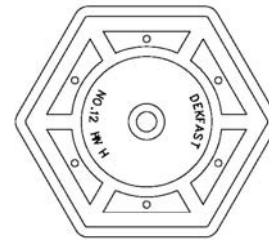
SFS PART	DESCRIPTION	STD CTN	U/M	WT	PRICE/M
M7525	2" Barbed Galvalume Plate	1000	M	29	74.00
M7540	2" Nonbarbed Galvalume Plate	1000	M	34	67.75
M7580	2" Deklite Plate	500	M	36	80.65
M7664	2-3/8" Barbed Plate (K-Fast)	1000	M	36	119.75
M7665	2-3/8" Barbed Plate	1000	M	36	105.25
M7550XS	2-7/8" Hex Galvalume Insulation Plate	1000	M	38	80.00
M7530	2-7/8" Hex Recess Galv Insulation Plate	1000	M	38	80.00
M3265DK	3" Plastic Dekflat Plate	1000	M	22	103.70
M7685	3" Round Stacked Galvalume Plate	1000	M	41	63.70
M7585	3" Deklite Plate	500	M	36	100.40



M7550XS



M7685



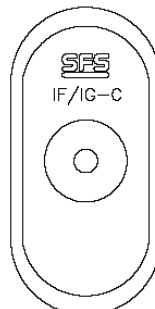
M7530

## isofast Plates

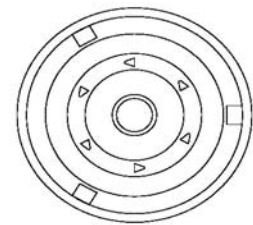
SFS PART	DESCRIPTION	STD CTN	U/M	WT	PRICE/M
M7710-TPL	IF-L 70x70 Insulation Plate (Thin)	750	M	82	237.25
M7700-TPL	IF/IG-C 82X40 Domed Convex Plate	750	M	55	231.70
M7680-TPL	IF-2.375-AT Plate (2 3/8" Round)	500	M	49	221.80



M7710

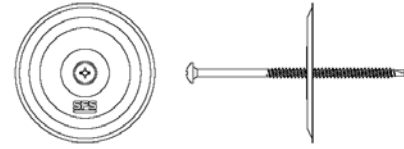


M7700



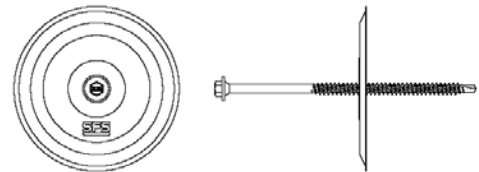
M7680

### #12 Phillips Dekfast Assembled w/3" Round Galvalume (Phillips Drive)



SFS PART	DESCRIPTION	STD CTN	U/M	WT	PRICE/M
A8513-995V	12 X 1-5/8"	500	M	53	154.25
A8518-995V	12 X 2-1/4"	250	M	57	163.30
A8523-995V	12 X 2-7/8"	250	M	61	170.10
A8526-995V	12 X 3-1/4"	250	M	63	221.30
A8530-995V	12 X 3-3/4"	250	M	67	227.85
A8536-995V	12 X 4-1/2"	250	M	71	250.30
A8540-995V	12 X 5"	250	M	74	271.55
A8548-995V	12 X 6"	250	M	81	310.70
A8556-995V	12 X 7"	200	M	87	378.00
A8564-995V	12 X 8"	200	M	94	404.45

### #12 Hex Dekfast Assembled w/3" Round Galvalume (Hex Drive)



SFS PART	DESCRIPTION	STD CTN	U/M	WT	PRICE/M
C7400-995V	12 X 1-5/8"	500	M	52	164.05
C7410-995V	12 X 2-1/4"	250	M	56	169.85
C7420-995V	12 X 2-7/8"	250	M	60	196.65
C7430-995V	12 X 3-1/4"	250	M	63	247.95
C7440-995V	12 X 3-3/4"	250	M	66	254.70
C7450-995V	12 X 4-1/2"	250	M	71	278.20
C7460-995V	12 X 5"	250	M	74	298.25
C7470-995V	12 X 6"	250	M	81	318.85
C7480-995V	12 X 7"	200	M	86	395.45
C7490-995V	12 X 8"	200	M	93	414.20

#12 & #15 Belted

#12 Dekfast insulation attachment, #15 Dekfast insulation attachment

### #12 isofast Belted



SFS PART	DESCRIPTION	STD CTN	U/M	WT	PRICE/M
A8518-995TPL	12 X 2-1/4"	750	M	17	120.20
A8523-995TPL	12 X 2-7/8"	750	M	21	147.55
A8526-995TPL	12 X 3-1/4"	750	M	23	174.65
A8530-995TPL	12 X 3-3/4"	750	M	27	278.20
A8536-995TPL	12 X 4-1/2"	750	M	31	287.00
A8540-995TPL	12 X 5"	750	M	34	323.95
A8545-995TPL	12 X 6"	750	M	41	374.45
A8556-995TPL	12 X 7"	750	M	48	395.20
A8564-995TPL	12 X 8"	750	M	55	430.80

### #15 isofast Belted



SFS PART	DESCRIPTION	STD CTN	U/M	WT	PRICE/M
C2010-995TPL	15 X 2"	1000	M	21	165.55
C2020-995TPL	15 X 3"	1000	M	31	186.55
C2030-995TPL	15 X 4"	500	M	42	283.45
C2040-995TPL	15 X 5"	500	M	49	346.40
C2050-995TPL	15 X 6"	500	M	59	406.60
C2060-995TPL	15 X 7"	500	M	69	454.60
C2070-995TPL	15 X 8"	500	M	78	513.20
C2075-995TPL	15 X 9"	500	M	88	650.50

**Dekfast**

**Nail Board Fasteners**

**Insulation Panel Fasteners**

#14 #3 square drive, drill point

**Insulation Panel Fastener**



SFS PART	DESCRIPTION	STD CTN	U/M	WT	PRICE/M
B7221-995R	14 X 2-5/8"	500	M	29	149.30
B7224-995R	14 X 3"	500	M	32	154.55
B7228-995R	14 X 3-1/2"	500	M	36	169.10
B7232-995R	14 X 4"	500	M	41	190.50
B7236-995R	14 X 4-1/2"	500	M	45	222.25
B7240-995R	14 X 5"	500	M	49	260.15
B7244-995R	14 X 5-1/2"	500	M	53	285.55
B7248-995R	14 X 6"	500	M	57	306.00
B7252-995R	14 X 6-1/2"	500	M	61	339.20
B7256-995R	14 X 7"	500	M	65	377.95
B7260-995R	14 X 7-1/2"	500	M	69	412.00
B7264-995R	14 X 8"	250	M	72	435.60
B7266-995R	14 X 8-1/2"	250	M	80	462.20
B7268-995R	14 X 9"	250	M	82	491.10
B7272-995R	14 X 10"	250	M	90	525.55
B7276-995R	14 X 11"	250	M	98	580.70
B7280-995R	14 X 12"	250	M	105	620.30

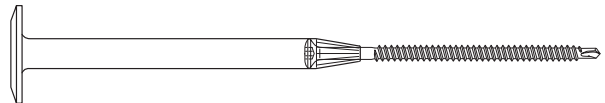
**Dekfast**

**Thermal Efficient Fastening System**

**ISO-TAK Fastening System**

**Sleeves and Fasteners**

**Thermal Fixing Fastener**



SFS PART	DESCRIPTION		STD CTN	U/M	WT	PRICE/M
1185063	#14 X 2-3/8"	BS-6.1X60	500	M	17	101.15
1185059	#14 X 4"	BS-6.1X100	500	M	28	170.00
1193134	#14 X 6"	BS-6.1X150	500	M	42	304.38
1193137	#14 X 8"	BS-6.1X200	500	M	56	587.54

**ISO-TAK Sleeves**

1037836	3" ROUND X 4-1/8"	R75X105	500	M	45	548.85
1037838	3" ROUND X 5-1/4"	R75X135	500	M	51	588.67
1037839	3" ROUND X 6-1/2"	R75X165	250	M	53	653.13
1037842	3" ROUND X 8-7/8"	R75X225	250	M	64	775.72
1037843	3" ROUND X 10"	R75X255	250	M	71	972.56
1037844	3" ROUND X 11-1/4"	R75X285	200	M	76	1199.74

Dekfast

Specialty Products

T.P.R. Peel Rivet

Two-piece aluminum magnesium alloy fastener

### T.P.R. Peel Rivet



SFS PART	DESCRIPTION	STD CTN	U/M	WT	PRICE/M
0872497	1-1/2"	1000	M	21	337.85
0872499	2"	1000	M	25	545.85
0872500	3"	500	M	33	818.10
0872501	4"	500	M	41	911.20
0872503	5"	500	M	49	1074.50
0872504	6"	500	M	57	1289.20
0872505	7"	250	M	65	1714.15
0692781	8"	250	M	72	2070.90
0692782	9"	250	M	81	2295.35
0692783	10"	200	M	89	2449.10
0838870	Manual Pulling Tool	1	EA	5	394.45
0835559	Powerbird (Cordless) Pulling Tool	1	EA	6	1869.00
0947813	Lobster Pneumatic Pulling Tool	1	EA	7	2229.80

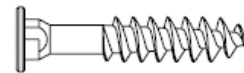
Dekfast

Specialty Products

Deklite

Nylon reinforced fiberglass auger

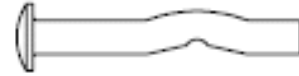
### Deklite



SFS PART	DESCRIPTION	STD CTN	U/M	WT	PRICE/M
N2008	2"	500	M	27	241.75
N2010	2-1/2"	500	M	30	248.70
N2012	3"	500	M	33	267.20
N2014	3-1/2"	500	M	36	291.95
N2016	4"	500	M	38	310.45
N2018	4-1/2"	500	M	41	327.05
N2020	5"	500	M	43	350.35
N2022	5-1/2"	500	M	46	369.85
N2024	6"	500	M	49	389.10
N2026	6-1/2"	500	M	52	408.05
N2028	7"	250	M	54	426.85
N2030	7-1/2"	250	M	57	500.60
N2032	8"	250	M	60	534.15
N2034	8-1/2"	250	M	63	565.45
N2036	9"	250	M	65	598.20
N2038	9-1/2"	250	M	68	645.75
N2040	10"	250	M	71	694.15
N2044	11"	250	M	76	1143.80
N2048	12"	250	M	82	1367.05
N2052	13"	250	M	87	1408.40

<b>Dekfast</b>	<b>Specialty Products</b>
<b>Dekspike</b>	<b>1/4" mushroom head</b>

## 1/4" Dekspike



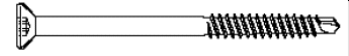
SFS PART	DESCRIPTION	STD CTN	U/M	WT	PRICE/M
N5110-999	1/4 x 1-1/4"	500	M	22	206.85
N5120-999	1/4 x 1-1/2"	500	M	22	238.45
N5130-999	1/4 x 2"	500	M	31	292.20
N5140-999	1/4 x 2-1/2"	500	M	41	334.75
N5150-999	1/4 x 3"	500	M	44	385.55
N5160-999	1/4 x 3-1/2"	500	M	50	428.55
N5170-999	1/4 x 4"	500	M	61	481.35
N5180-999	1/4 x 4-1/2"	500	M	62	539.10
N5190-999	1/4 x 5"	500	M	70	613.90
N5200-999	1/4 x 5-1/2"	500	M	72	655.55
N5210-999	1/4 x 6"	250	M	80	714.95
N5220-999	1/4 x 6-1/2"	250	M	82	833.10
N5230-999	1/4 x 7"	250	M	92	945.20
N5240-999	1/4 x 7-1/2"	250	M	102	1120.30
N5250-999	1/4 x 8 "	250	M	111	1192.50
N5270-999	1/4 x 9"	250	M	120	1278.85
N5290-999	1/4 x 10"	250	M	130	1546.15
N5310-999	1/4 x 11"	100	M	140	1722.45
N5330-999	1/4 x 12"	100	M	150	1914.50
N5350-999	1/4 x 13"	100	M	160	2074.25
N5370-999	1/4 x 14"	100	M	170	2205.25

<b>Dekfast</b>	<b>Specialty Products</b>
<b>Stainless Dekfast</b>	<b>#14, 13 tpi, drill point</b>

## #14 Phillips Head Stainless Dekfast (410 SS)



SFS PART	DESCRIPTION	STD CTN	U/M	WT	PRICE/M
G8500B	14 X 1-1/2"	1000	M	14	262.60
G8510B	14 X 2"	1000	M	18	316.40
G8520B	14 X 3"	1000	M	25	441.10
G8530B	14 X 4"	1000	M	32	583.00
G8540B	14 X 5"	1000	M	39	704.00
G8550B	14 X 6"	1000	M	46	830.50
G8560B	14 X 7"	500	M	53	CALL FOR PRICING
G8570B	14 X 8"	500	M	60	CALL FOR PRICING
G8580B	14 X 10"	250	M	77	CALL FOR PRICING
G8590B	14 X 12"	250	M	95	CALL FOR PRICING

**Dekfast****Specialty Products****Stainless Dekfast****T-25 drive, T304 (Bi-Met), drill point****#14 Stainless Dekfast  
(Treated lumber to metal deck)**

SFS PART	DESCRIPTION		STD CTN	U/M	WT	PRICE/M
1013033	2-1/4" (57mm) T304 (Bi-Met) SD2	SD2/43-S-S11/T25-6X57	250	M	17	946.40
1013038	3-3/4" (95mm) T304 (Bi-Met) SD2	SD2/81-S-S11/T25-6X95	250	M	27	1100.90
J2000	Torx-25 (1/4" x 1-15/16") drive bit		1	EA	--	9.60

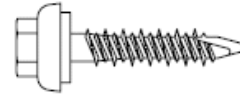
**Dekfast****Specialty Products****Purlin Fastener****#3 square drive, drill point****Dekfast #12 Purlin Fasteners**

SFS PART	DESCRIPTION		STD CTN	U/M	WT	PRICE/M
C4305-995B	12 X 1-3/8"		1000	M	16	90.50
C4315-995B	12 X 2-3/4"		1000	M	26	102.25
C4325-995B	12 X 3-3/4"		1000	M	33	162.05
C4335-995B	12 X 4-3/4"		1000	M	41	204.30
C4345-995B	12 X 5-3/4"		1000	M	48	265.80
C4355-995B	12 X 6-3/4"		500	M	55	360.80
C4365-995B	12 X 7-3/4"		500	M	63	389.75

ZAC Anchors

3/8" AF Termination fastener

ZAC Anchors

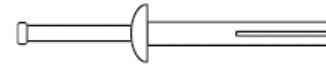


SFS PART	DESCRIPTION	STD CTN	U/M	WT	PRICE/M
N7305-FM999C	#14 X 1-3/8" HWH ZAC Anchor	1000	M	25	192.75
N7310-FM999C	#14 X 1-5/8" HWH ZAC Anchor	1000	M	27	198.80

ZAMAC Zinc Nailins

Termination fastener

ZAMAC Zinc Nailins



SFS PART	DESCRIPTION	STD CTN	U/M	WT	PRICE/M
<b>PACKAGING - 100/BOX; 5 BOXES/CARTON</b>					
N7050	3/16 X 7/8" STEEL NAIL	500	M	10	69.60
N7090	1/4 X 3/4"	500	M	16	92.70
N7100	1/4 X 1"	500	M	19	98.50
N7110	1/4 X 1-1/4"	500	M	23	106.95
N7115	1/4 X 1-1/2"	500	M	25	120.05
N7120	1/4 X 2"	500	M	31	138.15
<b>PACKAGING - BULK PACKED CARTON</b>					
N7050K	3/16 X 7/8" STEEL NAIL	1000	M	10	66.10
N7090K	1/4 X 3/4"	1000	M	16	88.05
N7100K	1/4 X 1"	1000	M	19	93.60
N7110K	1/4 X 1-1/4"	1000	M	23	101.60
N7115K	1/4 X 1-1/2"	1000	M	25	114.05
N7120K	1/4 X 2"	1000	M	31	131.25

Base Ply Fasteners

Base Sheet Attachment

Base Ply Fasteners



SFS PART	DESCRIPTION	STD CTN	U/M	WT	PRICE/M
N3025FPA	Dekfast/FM 90 - 1.7" Assembled/Painted	1000	M	40	148.85
N3005FPA	Dekfast/FM 75 -1.2" Assembled/Painted	1000	M	36	148.85
N3100	Magnetic Driver	1	EA	23	117.85
N3130	Magnetic Twin Loc Driver Tool	1	EA	5	117.85
N3314	Twin Loc-Nail 1.4"	500	M	53	360.50
N3318	Twin Loc-Nail 1.8"	500	M	56	360.50
N3328	Twin Loc-Nail 2.8"	500	M	68	395.35
N3338	Twin Loc-Nail 3.8"	500	M	84	465.10
N3348	Twin Loc-Nail 4.8"	250	M	108	581.35

Dekbond Adhesive

Insulation Adhesives

Insulation Adhesive

SFS PART	DESCRIPTION	STD CTN	U/M	WT	PRICE/M
J6600	Dekbond Two Part Insulation Multi-Bead Applicator	1	ea.	10	4075.05
J6610	Dekbond Two Part Manual Applicator	1	ea.	10	185.70
V9000	Two-Part Insulation Adhesive	(4) 1500 ml	case	30 lb/case	173.45/case
V9010	Dekbond Foam Accelerator	5	gallon	45 lb/pail	82.05/pail
V9020	Dekbond Universal Primer	5	gallon	45 lb/pail	105.65/pail

**Dekfast****Termination Products****Termination and Batten Bars****.050", .075", .090", .100", .125"; 6" OC****Termination and Batten Bars**

SFS PART	DESCRIPTION	HOLE SPACING	PKG QUANTITY	PRICE /FT
0625833	Flat Batten Bar (.050)	6"	500 FT	0.41
H3000	.050" All Purpose	6"	500 FT	0.41
H3030	.075" Single Lip	6"	500 FT	0.44
H3035	.075" Ribbed Single Lip	6"	500 FT	0.42
H3090	.100 Single Lip	6"	500 FT	0.64
H3120	.125" Flat	6"	500 FT	0.70
H3125	.100" Ribbed Term Bar Flat	6"	500 FT	0.70
H3150	Drain Bar/Gravel Stop	6"	100 FT	2.04
H3155	.090" Lip and Ball	6"	500 FT	0.58

SFS PART	DESCRIPTION	HOLE SPACING	PKG QUANTITY	PRICE /PKG
H3700	Coiled Batten Bar (Twin-Lok)	3"	500 FT	184.35
H3900	Coiled Batten Bar (.260)	3"	500 FT	91.50

**Dekfast****Specialty Products****isofast Tool****isofast IF160****isofast Installation Tools**

SFS PART	DESCRIPTION	PKG QTY	TOOL WT(lbs)	TOOL & Carton WT (lbs)	PRICE /M
0921663	IF160 INS. Tool	1 EA	60	110	CALL FOR DETAILS
0921670	IF160 HLP Tool(2 3/8" Round Plate)	1 EA	60	121	CALL FOR DETAILS
1093153	IF240 INS Tool	1 EA	110	180	CALL FOR DETAILS
1093153	IF240 HLP Tool	1 EA	110	180	CALL FOR DETAILS

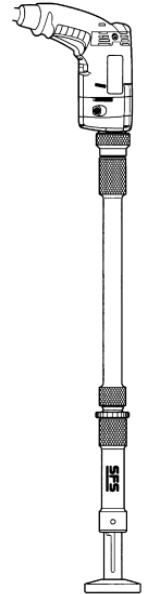
**PLEASE NOTE: LOANER PROGRAM AVAILABLE, CALL 1-800-DEKFAST FOR MORE INFORMATION**

Stealth Tools and Accessories

10, 20, Shorty

SFS Stealth Tool

SFS PART	DESCRIPTION	PKG QTY	U/M	PRICE /EA
STEALTH	Stealth Shorty for ES-L	1	EA	125.45
STEALTH10	Stealth with 10" Extension	1	EA	282.25
STEALTH20	Stealth with 20" Extension	1	EA	312.50



SFS Stealth Accessories

SFS PART	DESCRIPTION	PKG QTY	U/M	PRICE /EA
J0150	Dewalt Model DW284 Screw Gun	1	EA	210.25
0655530	Milwaukee Adaptor (Variable Connector)	1	EA	34.20
0655528	Makita Adaptor (Variable Connector)	1	EA	34.20
0999113	Dewalt Adaptor (Variable Connector)	1	EA	38.40
0671016	Metal ES-I Stick Tool	1	EA	77.90
0673936	SFS Fastener Bags	1	EA	20.80
0655533	11" (Stealth 10) Extension Tube	1	EA	68.85
0655534	20" (Stealth 20) Extension Tube	1	EA	100.95
0711683	Locking/Depth Ring	1	EA	15.30
0655548	Stealth Shorty Hex Bit holder	1	EA	60.20
0655547	Stealth Shorty Phillips Bit holder	1	EA	51.95
0899577	Stealth 10 Hex Bit Holder	1	EA	68.35
0899581	Stealth 10 Phillips Bit holder	1	EA	56.45
0899579	Stealth 20 Hex Bit holder	1	EA	73.45
0704162	Stealth 20 Phillips Bit holder	1	EA	61.50
0008014	8mm (5/16") Hex Socket	1	EA	7.30
J0340	1/4" Hex Socket	1	EA	7.30
J0982P	#3 Phillips Bit	1	EA	1.55
0669640	O-Ring for Bit Cap	1	EA	N/C
0998378	Bit Cap	1	EA	5.55
0711681	Shorty Telescope Tube	1	EA	54.45
0706408	Guide Pin	1	EA	4.85
0712182	Retaining Ring	1	EA	0.55
0712180	Guide Washer	1	EA	1.20
0712179	Compression Spring	1	EA	4.10
0060107	2" Plastic Plate Footpiece	1	EA	31.15
0707652	Dekflat Plate Footpiece	1	EA	31.15
0778606	3" Metal Plate Footpiece	1	EA	31.15
0871078	MES-L (Soprafixx) Footpiece	1	EA	31.15

## TimberWork Products

### Log Screw

### Log Screw Fasteners

## Log Screw

SFS PART	DESCRIPTION	STD CTN	U/M	WT	PRICE PER U/M FULL CTN
B6430-995TPL	#15 X 4"	250	M	40.0	272.90
B6450-995TPL	#15 X 6"	250	M	50.0	311.55
B6470-995TPL	#15 X 8"	250	M	67.6	377.95
B6490-995TPL	#15 X 10"	250	M	89.4	474.55
B6510-995TPL	#15 X 12"	250	M	111.2	633.95
B6530-995TPL	#15 X 14"	250	M	133.1	799.40
B6550-995TPL	#15 X 16"	250	M	154.9	997.40

## Log Screw Max

SFS PART	DESCRIPTION	STD CTN	U/M	WT	PRICE PER U/M FULL CTN
B6648-995TPL	#19 X 6"	250	M	89.4	499.40
B6664-995TPL	#19 X 8"	250	M	103.7	650.65
B6672-995TPL	#19 X 9"	250	M	115.5	728.05
B6680-995TPL	#19 X 10"	250	M	127.3	790.90
B6688-995TPL	#19 X 11"	250	M	139.0	836.15
B6696-995TPL	#19 X 12"	250	M	150.8	897.95
B6712-995TPL	#19 X 14"	250	M	174.3	1004.65
B6720-995TPL	#19 X 15"	250	M	186.0	1342.75

## TimberWork Products

### System WT


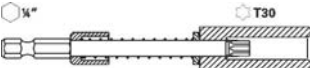

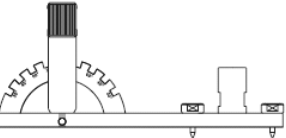
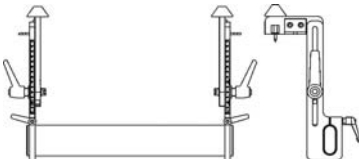
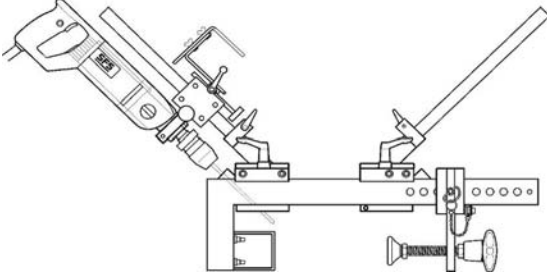
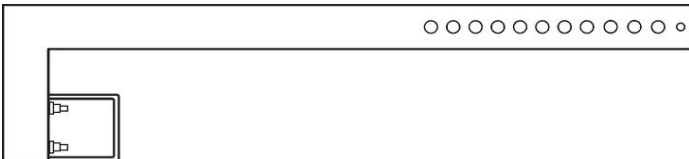
### Double-Threaded Lag Bolt (Torx Drive)

## WT System



SFS PART	DESCRIPTION	STD CTN	U/M	WT	PRICE PER U/M FULL CTN
0944019	1/4 X 2.56" (6.5x65mm)	100	M	19.8	Call for Pricing
0944015	1/4 X 3.54" (6.5x90mm)	100	M	26.2	Call for Pricing
0851110	1/4 X 5.12" (6.5x130mm)	100	M	37.0	Call for Pricing
0978290	1/4 X 6.30" (6.5x160mm)	100	M	45.2	Call for Pricing
1068275	1/4 X 7.48" (6.5x190mm)	100	M	54.0	Call for Pricing
1068276	1/4 X 8.66" (6.5x220mm)	100	M	62.8	Call for Pricing
0898494	5/16 X 6.30" (8.2x160mm)	100	M	86.8	Call for Pricing
0898496	5/16 X 7.48" (8.2x190mm)	100	M	102.9	Call for Pricing
0898498	5/16 X 8.66" (8.2x220mm)	100	M	118.4	Call for Pricing
0898500	5/16 X 9.65" (8.2x245mm)	100	M	132.5	Call for Pricing
0898502	5/16 X 11.81" (8.2X300mm)	50	M	162.0	Call for Pricing

WT System Tools

SFS PART	DESCRIPTION		U/M	PRICE EACH
0888896	WT-T40/D10 Drive Bar/Unit		EA	Call for Pricing
0857753	WT-T30/D10 Drive Bar/Unit		EA	Call for Pricing
0857750	Z661/WT Depth Locator		EA	Call for Pricing
0992262	ZL WT/U Universal Template		EA	Call for Pricing
0992260	ZL WT/S Purlin Support		EA	Call for Pricing
0909843	ZL WT Setting Tool for coupling purlins Clamping range 5.5"-167.5" (14-32cm)		EA	Call for Pricing
0926823	Z-WT/42 Conversion Kit Clamping Range 7.75"-16.5" (20-42cm)		EA	Call for Pricing

WT System Tools

SFS PART	DESCRIPTION	U/M	PRICE EACH
0942259	ZL-WT/MS Setting Tool w/BO1050 for Main to Secondary Connections	EA	Call for Pricing
0980396	ZL-WT/MS Without BO1050	EA	Call for Pricing
1096097	Power Drill BO1055 for 5/16" (8.2mm)	EA	Call for Pricing
0026161	Screw Gun DI600 for 1/4" (4.5, 5.0, 6.5mm)	EA	Call for Pricing
0727276	ZL-WT/M NO 2x Tool	EA	Call for Pricing
0987757	Bit T30 X 7.87" (200mm)	EA	Call for Pricing
0978292	Bit T30 X 13.78" (350mm)	EA	Call for Pricing
0955405	Bit T40 X 2.75" (70mm) for use w/ZL WT Tool	EA	Call for Pricing
0907362	Bit T40 X 5.98" (152mm)	EA	Call for Pricing
0930217	Bit T40 X 7.87" (200mm)	EA	Call for Pricing
0978291	Bit T40 X 13.78" (350mm)	EA	Call for Pricing
0968661	Bit T40 X 20.47" (520mm)	EA	Call for Pricing



System WS

Self-Drilling Dowel (Torx Drive)

WS System



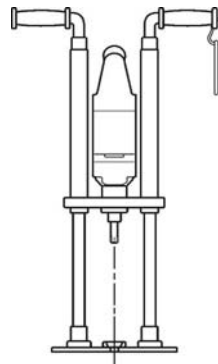
SFS PART	DESCRIPTION	STD CTN	U/M	WT	PRICE PER U/M FULL CTN
0928812	1/5 X 2.87" (5x73mm)	100	M	22.5	Call for Pricing
0928804	1/5 X 3.66" (5x93mm)	100	M	29.2	Call for Pricing
0928811	1/5 X 4.45" (5x113mm)	100	M	35.4	Call for Pricing
0955418	1/5 X 5.24" (5x133mm)	100	M	41.6	Call for Pricing
0936686	1/5 X 6.02" (5x153mm)	100	M	47.8	Call for Pricing
0936684	1/5 X 6.81" (5x173mm)	100	M	55.0	Call for Pricing
0956686	1/5 X 7.60" (5x193mm)	100	M	63.1	Call for Pricing
0944022	1/4 X 4.45" (7x113mm)	100	M	69.4	Call for Pricing
0944024	1/4 X 5.24" (7x133mm)	100	M	82.1	Call for Pricing
0930564	1/4 X 6.02" (7x153mm)	100	M	61.5	Call for Pricing
0936680	1/4 X 6.81" (7x173mm)	100	M	106.8	Call for Pricing
0936682	1/4 X 7.60" (7x193mm)	100	M	120.5	Call for Pricing
0944064	1/4 X 8.39" (7x213mm)	100	M	133.3	Call for Pricing
0944066	1/4 X 9.17" (7x233mm)	100	M	146.1	Call for Pricing

System WS

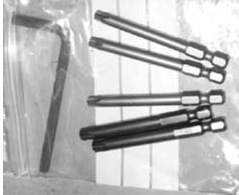

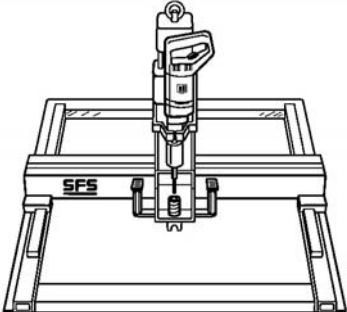

WS Tools

WS System Tools

SFS PART	DESCRIPTION	U/M	PRICE EACH
0960060	CF-WAS/M Manual Setting Tool	EA	Call for Pricing
0958861	CF-WAS/M Manual Setting Tool without Drive Unit	EA	Call for Pricing



WS System Tools

SFS PART	DESCRIPTION		U/M	PRICE EACH
0023488	T-30 Replacement Bit for 0960060		EA	Call for Pricing
0024040	T-40 Replacement Bit for 0960060		EA	Call for Pricing
0997859	Magnetic V Replacement Bit for CF-WS/M		EA	Call for Pricing
0730772	CF-WS/P Setting Frame		EA	Call for Pricing
0926636	T-40 Replacement Bit for CF-WS/P Setting Frame 0730772		EA	Call for Pricing





## Easy Order Choices - Delivering Solutions Today for Tomorrow's Business

SFS intec offers unique tailor-made solutions that make processing your orders easier. We understand the complexity of our customers' daily business activities and aim to reduce the time and expense involved in placing and tracking orders.

By visiting [www.sfsintecusa.com](http://www.sfsintecusa.com) and logging into "My Account", you can easily place your orders online. Or, if you choose, place your order by fax or e-mail.

You can receive an e-mail confirmation that an order has been placed. Shipment status is available in "real-time", eliminating the guess work of knowing when the order will be delivered.

**Order:** Choose the method that is right for you -- online, e-mail, fax or phone

**Acknowledgment:** Receive immediate notification just minutes after your order is entered

**Delivery:** Receive real-time shipping and delivery status

**Invoice:** Receive your invoice the way you want, by e-mail, fax, online or mail

Contact us now, for more information or to enroll in Easy Order Choices.

**Contact Us Toll Free: 1-800-335-3278 Fax: 1-888-485-4225**  
**Visit Our Website: [www.sfsintecusa.com](http://www.sfsintecusa.com)**

### Headquarters

Spring Street & Van Reed Road, PO Box 6326  
Wyomissing, PA 19610  
**610-376-5751 Fax: 610-376-8551**

### Manufacturing Plants

#### Exeter Plant

Lincoln Corporate Center, 41 Dennis Drive  
Reading, PA 19606

#### Medina Plant

5201 Portside Drive  
Medina, OH 44256

#### Wyomissing Plant

Spring Street & Van Reed Road, PO Box 6326  
Wyomissing, PA 19610

### U.S. Service Centers

#### Reading Service Center

Spring Street & Van Reed Road, PO Box 6326  
Phone: 610-376-5751 Fax: 610-376-8551

#### Durant Service Center

PO Box 576, 500 West Third Avenue  
Durant, IA 52747  
Phone: 563-785-4990 Fax: 563-785-6997

#### Houston Service Center

6120 West by Northwest Boulevard, Unit 160  
Houston, TX 77040  
Phone: 713-939-0056 Fax: 713-939-1759

#### Atlanta Service Center

675 Progress Center Avenue  
Unit M  
Lawrenceville, GA 30043  
Phone: 770-995-5256 Fax: 770-995-3782

#### Sacramento Service Center

2426 Port Street  
West Sacramento, CA 95691  
Phone: 916-373-9912 Fax: 916-373-0176